

5641 - Tricep Extension

ITEM	QTY	PART NO.	DESCRIPTION
1	2	01439	Removed
2	2	01755	Weight Stack Guide Rod
3	4	02311	Guide Rod Colllet
4	1	BR030206	Bar Holder
5	2	HP286819	Retaining Ring
6	2	02330	Spiral Pin .50
7	2	02330	Spacer
8	14	4700C089	Stack Weight 3 x 12
9	2	PR060005	Weight Bumper
10	3	CP000000	Pulley Assembly 4.50
11	6	CP000000	Pulley Spacer
12	3	CP000000	Pulley Center
13	4	HC700414	BHSCS .375-16 x .625
14	8	HC700414	Hex Nut .50-13
15	2	HC700417	BHSCS .50-13 x 1.00
16	2	JC782830	SHCS .50-13 x 2.50
17	2	Removed	Removed
18	6	JS388300	Split Lockwasher .50
19	4	PN660201	Hole Plug
20	2	PP060204	Plastic Cap .625 ID x .68 OD
21	1	01438	Upper Pivot Shaft
22	1	01441	Machined Bumper
23	1	02306	Stabilizer
24	1	02308	Adjusting Post
25	2	02309	Bumper
26	1	02317	Base Frame
27	1	02325	Seat Weldment
28	1	2450M930	Detent Pin
29	1	BS070201	Compression Spring
30	2	FB950203	Flange Bearing
31	1	HN624100	Hex Nut .25-20
32	3	HN704000	Hex Nut .375-16
33	2	HS308300	Split Lockwasher .25
34	3	HS348300	Split Lockwasher .375
35	3	HY662912	Set Screw .312-18 x .50
36	2	IG600415	BHSCS .25-20 x .75
37	2	IC700914	FHSCS .375-16 x .62
38	1	IC700914	SHCS .375-16 x .62
39	1	PP060202	Plastic Insert
40	2	1.19 Dia. X 1.11 G	1.19 Dia. X 1.11 G
41	1	PP-660200	Plastic Knob .312-18
42	1	PR060005	Recess Bumper
43	1	PU060200	Bumper
44	1	02224	Modular Screen (not shown)
45	2	HC700417	BHSCS .375-16 x 1.00
46	2	BHSCS .375-16 x 1.25	BHSCS .375-16 x 1.25
47	2	JC700434	BHSCS .375-16 x 3.00
48	2	JS387400	Internal Tooth Lockwasher .50
49	1	02106	Half Weight Peg
50	2	4700C-019	Flange Bearing

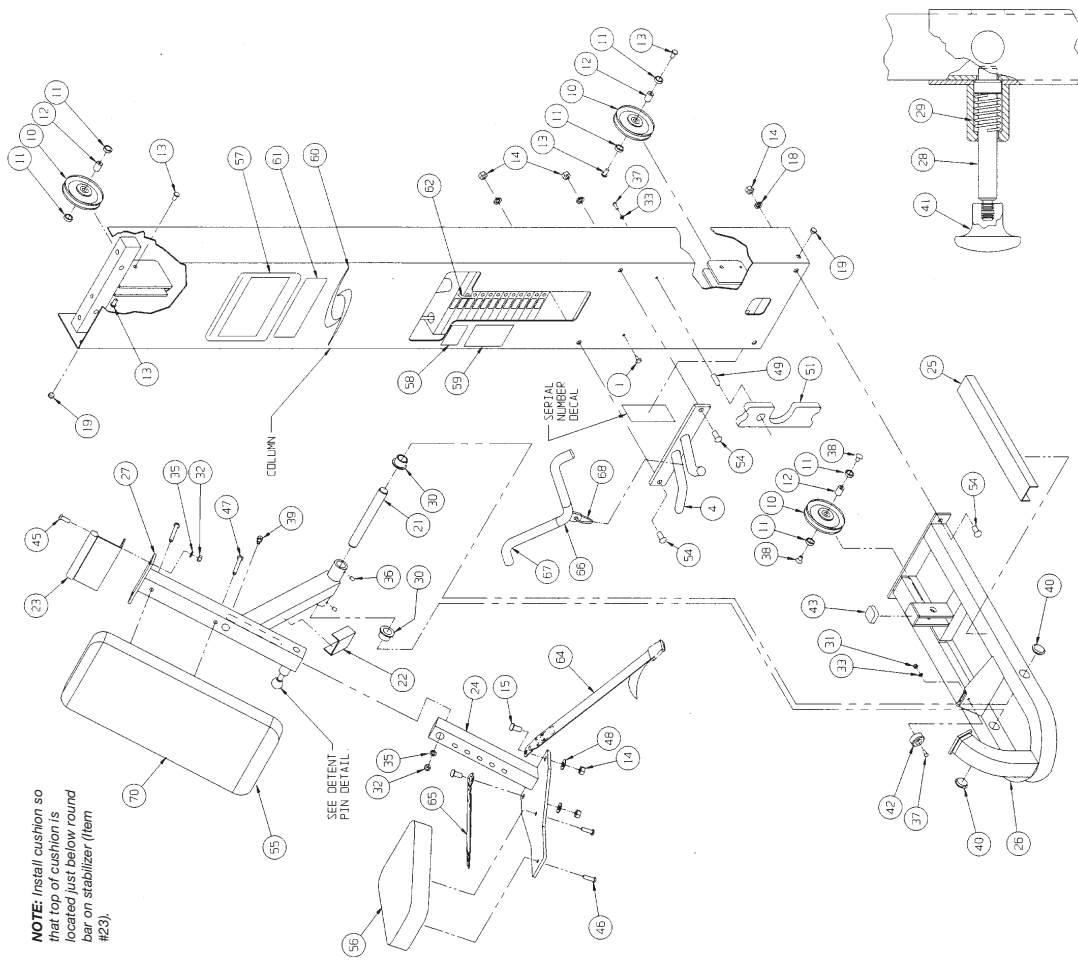
Assembly Notes

- Keep all shipping packages near area of installation. Standard shipping items include:
 - Tricep Extension Column Assembly - 5641-9x
 - Tricep Extension Package - 5641-50
 - Tricep Extension Cushion Box Assembly - 5641-0
 - Top Weight Package (15-33 x 12, 6635) - 4700C-019
 - Weight Pack (3 x 12, 6635) - 4700C-110
- Follow assembly guidelines listed on the 5600 Modular Center Post or the 5629 Tandem Center Post Assembly & Parts instruction sheet.

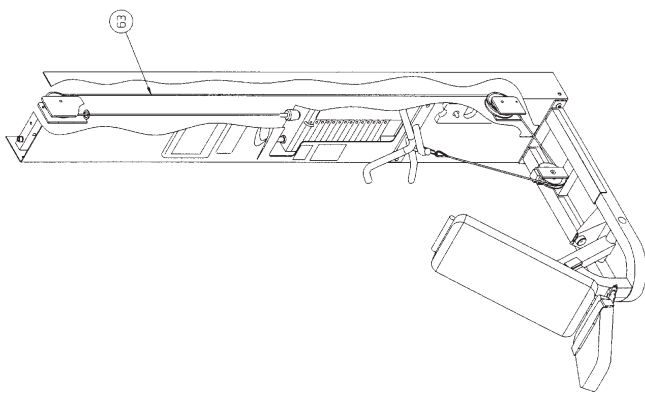
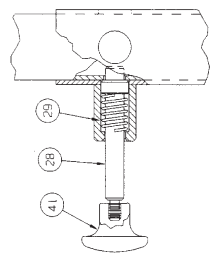
NOTE: This machine shipped with an Owner's Manual. Additional copies can be obtained by contacting your dealer or a Cybex Representative at 1-888-462-9239.

ITEM	QTY	PART NO.	DESCRIPTION
51	1	4301C086	Halt Weight 3 x 12
52	1	4700C-016	Top Weight Assembly
53	1	6700M005	Rubber Cap
54	4	JC780420	BHSCS .50-13 x 1.25
55	1	02928-0	Back Cushion
56	1	5520S0008-0	Seat Cushion
57	1	02323	Placard Decal
58	1	4000Y316	Caution Decal
59	1	02521	Warning Decal
60	1	3900-426	Vortex Decal
61	1	4800-381	General Warning Decal
62	1	5310P044	Weight Selector Pin
63	1	02915	Cable Subassembly
64	1	405UB050	Seat Belt (Buckle Half)
65	1	405UB051	Seat Belt (Connector Half)
66	1	514013	Cambered Handle
67	2	405SM028	Foam Grip
68	1	CP000026	Sharp Link
69	1	4800-515	Weight Plate Decal
70	1	01458	Wear Cover
71	2	HS760108	Flat Washer 1.75 OD .69 ID .14

NOTE: Install cushion so that top of cushion is located just below round bar on stabilizer (Item #23).



DETENT PIN DETAIL

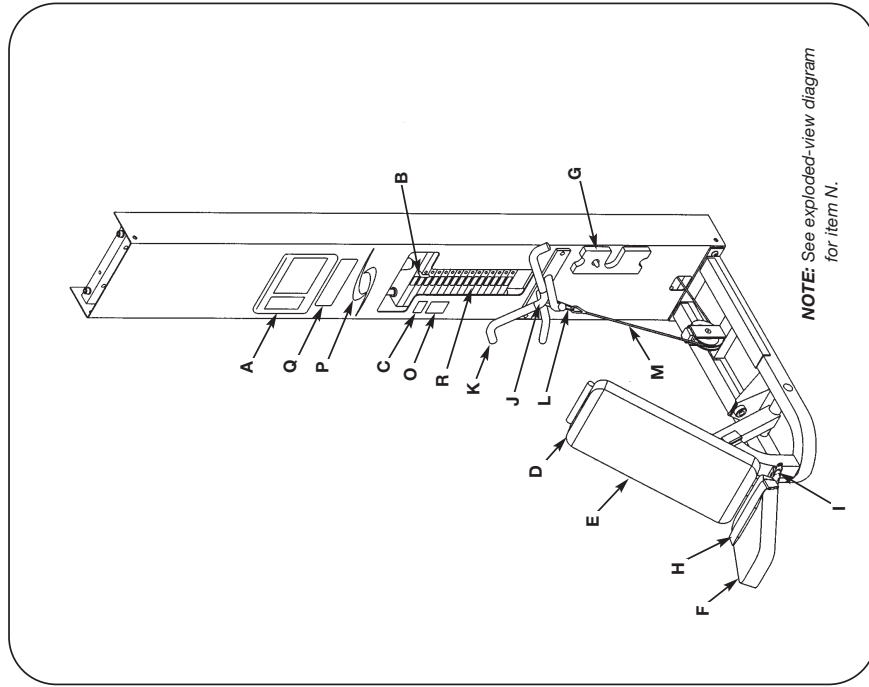


CABLE ROUTING

MODULAR TRICEP EXTENSION

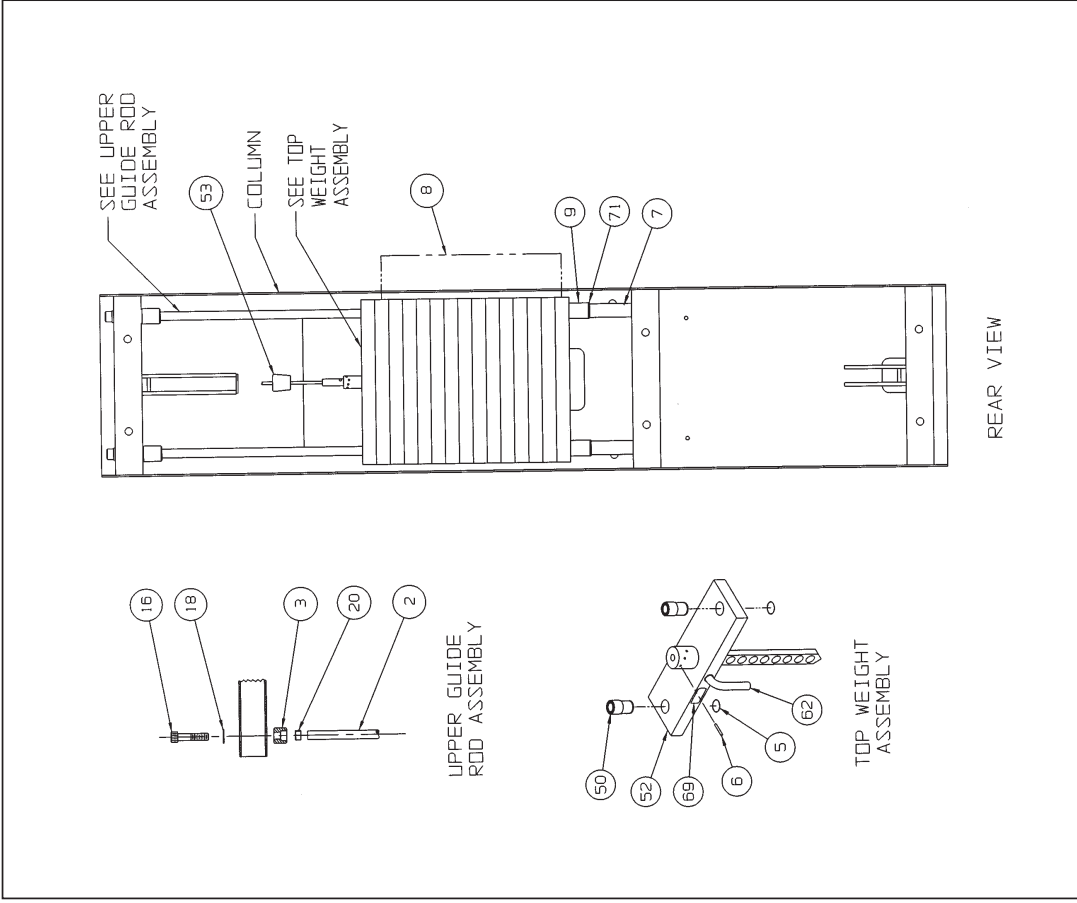
ASSEMBLY & PARTS

5641



NOTE: See exploded-view diagram for item N.

DESCRIPTION	PART NO.	DESCRIPTION	PART NO.
A. Placard Decal.....	02323	I. Lap Belt (Connector Half).....	405UB051
B. Weight Selector Pin.....	5310P044	J. Cambered Handle.....	02203
C. Caution Decal.....	4000Y316	K. Foam Grip.....	4055M026
D. Back Cushion With Wear Cover (Item E).....	02329-0	L. Snap Link.....	G0000206
E. Wear Cover.....	01458	M. Cable Subassembly.....	02315
F. Seat Cushion.....	4015S073-0	N. Serial Number Decal.....	02521
G. Hair Weight.....	4301C096	O. Warning Decal.....	3900-426
H. Lap Belt (Buckle Half).....	405UB050	P. Vortex Decal.....	4800-381
I. Lap Belt Hardware Pack.....	02316	Q. General Warning Decal.....	4800-515
		R. Weight Plate Decal.....	4800-515



REAR VIEW



10 Trotter Drive Medway, MA 02053 • 508-533-4300 • FAX 508-533-5183 • www.cybexinternational.com • Techhelp@cybexintl.com
 Copyright © 2002 CYBEX International, Inc. All rights reserved • 55641 • June 2004